

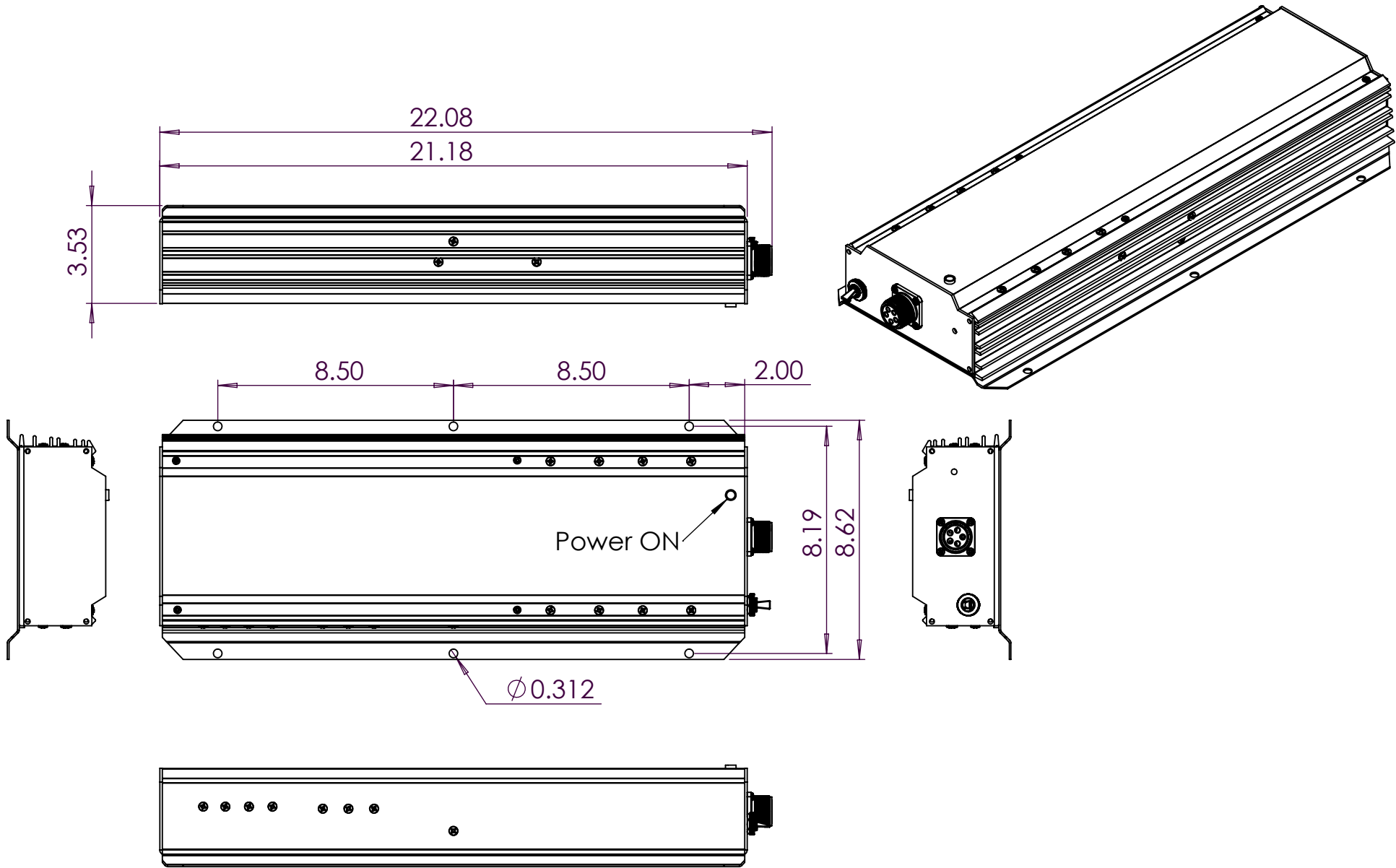
2 Electrical Specifications:

Input Voltage:	105-132 VAC; 360-500 Hz.; 1 ph.
Output Voltage:	105-132 VAC: 60 Hz.; 1 ph.
Output Current:	15 Amps. Max
Output Current Limit:	17 Amps.
Output Wave Form:	Sine
Efficiency:	>90%, at full load
Operating Temperature:	-20C to +60C
Cooling:	Convection Cooled
Protection Features:	
Electronic Overload:	Restricts the power that can be drawn when the power limit point is reached
Spike and Noise Suppression	Clips incoming voltages at 150 VAC, RMS
Other Protection:	Input Circuit Breaker

3 Mechanical Specifications

Size:	4.5H x 8.5W x 21.75L (inches) See Page 5 Drawing 17-SFQ2K400
Mounting Points:	6 Holes in Base Flange
Weight:	25 lbs.
Input Connections:(3)	Via Canon 5 pin Connector (See Diag. E in Owner's Manual) J1, mates with MS3106 F18-11P
Output Connection:(2)	Via Canon 5 pin Connector (See Diag. E in Owner's Manual) J1, mates with MS3106 F18-11P
Activity Lights:	To Monitor Input & Output
Overload Indicator:	LED on connector panel
ON-OFF Switch	Toggle Switch

For detailed dimensions see mechanical drawing 17-SFQ2K400 below.



PROPRIETARY AND CONFIDENTIAL

THE INFORMATION CONTAINED IN THIS DRAWING IS THE SOLE PROPERTY OF SEC AMERICA CORP. ANY REPRODUCTION IN PART OR AS A WHOLE WITHOUT THE WRITTEN PERMISSION OF SEC AMERICA CORP IS PROHIBITED.

SEC AMERICA CORP
05407

TITLE:
SFQ2K400 Frequency converter

SIZE	DWG. NO.	REV
A	17-SFQ2K400	1
SCALE: 1:5	WEIGHT:	SHEET 1 OF 1

5

4

3

2

1