

Wood Pellet Stove Operating Times On Battery Backup

TABLE 2

Battery Size		With Two Equal Batteries Pellet Stove Igniter Current Draw (A)					
		Typical A- Hr.	3A Operating Hours	4A Operating Hours	5A Operating Hours	6A Operating Hours	7A Operating Hours
27	29	90	18.0	13.5	10.8	9.0	7.7
30	31	95	19.0	14.3	11.4	9.5	8.1
4D	8D	110	22.0	16.5	13.2	11.0	9.4
		125	25.0	18.8	15.0	12.5	10.7
		200	40.0	30.0	24.0	20.0	17.1
		245	49.0	36.8	29.4	24.5	21.0

TABLE 1

Battery Size		With Single Battery Pellet Stove Igniter Current Draw (A)					
		Typical A- Hr.	3A Operating Hours	4A Operating Hours	5A Operating Hours	6A Operating Hours	7A Operating Hours
27	29	90	9.0	6.8	5.4	4.5	3.9
30	31	95	9.5	7.1	5.7	4.8	4.1
4D	8D	110	11.0	8.3	6.6	5.5	4.7
		125	12.5	9.4	7.5	6.3	5.4
		200	20.0	15.0	12.0	10.0	8.6
		245	24.5	18.4	14.7	12.3	10.5

Why You Need a Stove Sentry™ Battery Backup System

With all the things to worry about during a power outage, the last thing on your mind should be how to stay warm.

Stove Sentry™ is designed to give you peace of mind during a power outage. When the power goes out, Stove Sentry™ automatically switches to battery power and keeps your stove running and your house warm. When power returns, Stove Sentry™ automatically starts recharging the battery, preparing for the next power outage.

FEATURES & BENEFITS:

- Effortless installation – easy hookup.
- Automatically engages when power goes out
- Lowers the possibility of developing burst pipes due to cold
- More reliable than a generator
- Durable - not a throw-a-way appliance – 10 year life expectancy.
- Made and serviced in the U.S.A.
- 2 Year Warranty

Manufactured in the USA by:



P.O. Box 2266, 78 Ethan Allen Drive
S. Burlington, VT 05403

Tel: 802-865-8388 • Fax: 802-865-8389
email: sales@secamerica.com • internet:www.secamerica.com

Printed in the USA

© copyright January 2022

WHEN THE POWER GOES OUT...



Stay Warm!



Model 933

Stove Sentry™

Automatic Battery Backup

- Wood/Corn Pellet Stoves
- Kerosene & Gas Heaters
- Water Circulation Pumps



www.secamerica.com

Easy Installation in Under 10 Minutes

1) Mount on a shelf or to a wall (Fig. 2):

Stove Sentry conveniently mounts to the wall or a shelf. It should be mounted at close proximity to a grounded AC outlet, provided the AC cord from the Stove Sentry will reach it.



Fig. 2

2) Make Connections (Fig. 3):

- Make sure the On/Off switch is in the OFF position.
- Connect battery to Stove Sentry™ using supplied cables
- Plug your stove into Stove Sentry's AC outlet.
- Plug the Stove Sentry into a 120 volt AC outlet.
- Turn the On/Off switch to ON. (Fig. 3A)



Fig. 3



Fig. 3A

ELECTRICAL SPECIFICATIONS	
Input Volts	Model 933 120 VAC; 60Hz
Maximum Continuous Output Power	1200 Watts
Start Up Surge Capacity	30 A for 2 seconds
Audio Indicator	
Audible Alarm - Imminent Shutdown	When battery has declined < 10.8V
VISUAL LED'S	
Active when lit - LED (A)	Power present at output receptacle.
Charging LED Indicator (B) - Blinking	Blinking When Charging
Charging LED Indicator (B) - Fully ON	Battery is full-charging suspended
Replace Battery LED Indicator (C) - Fully ON	Battery is degraded from long term use
Dimensions & Weight	
Weight	17/7.7 (lb./Kg.)
Size	18.5 x 8.6 x 3.5 / 47 x 22 x 9 (in./cm.)
Mounting Hole Centers	12 x 7.9 / 30.5 x 20 (in./cm.)
Supplied Cables	BC-42/4 ft. #2 gauge

BATTERY INSTALLATION

Installation of batteries should be performed or supervised by persons knowledgeable about battery handling precautions. Install batteries in a convenient remote location particularly inaccessible to children and flammable fluids. For more information, read the Stove Sentry™ owner's manual.

Only batteries conforming to Battery Council International (BCI) group size 27 or larger are recommended. Only lead acid or AGM batteries are designed for the type of service which Stove Sentry™ requires. INSTALL ONLY deep cycle batteries. The marine-variety is acceptable. DO NOT use car batteries.

Up to three batteries maybe connected as shown in Figure 4 to increase back up time. (See Table 1 and Table 2).

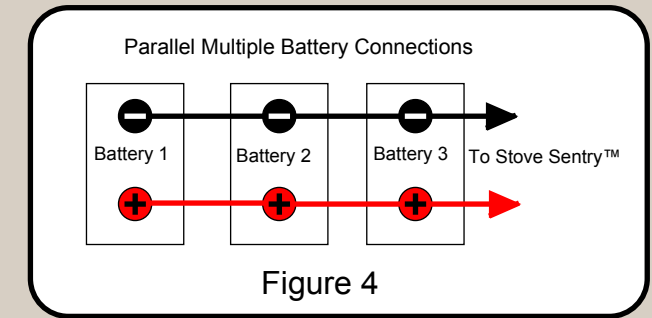


Figure 4

BATTERY BOX

Your selected battery(ies) should be installed in a high quality plastic or metal battery box with a lid that is designed for the box.



Figure 5