

REVISIONS				
ZONE	REV.	DESCRIPTION	DATE	APPROVED
-	1	New Drawing Release	12/22/15	BTG

PROPRIETARY AND CONFIDENTIAL
 THE INFORMATION CONTAINED IN THIS DRAWING IS THE SOLE PROPERTY OF SEC AMERICA LLC. ANY REPRODUCTION IN PART OR AS A WHOLE WITHOUT THE WRITTEN PERMISSION OF SEC AMERICA LLC IS PROHIBITED.

		UNLESS OTHERWISE SPECIFIED:		NAME	DATE	SEC AMERICA LLC 05407
		DIMENSIONS ARE IN INCHES TOLERANCES: FRACTIONAL ± ANGULAR: MACH ± BEND ± TWO PLACE DECIMAL ± THREE PLACE DECIMAL ±	DRAWN	BTG	12/22/15	
		INTERPRET GEOMETRIC TOLERANCING PER:	CHECKED			TITLE: 611HS/621HS/637HS/649HS Converters
		MATERIAL	ENG APPR.			
		FINISH	MFG APPR.			SIZE DWG. NO. REV A 17-0649 DC-DC 1
NEXT ASSY	USED ON		Q.A.			
APPLICATION		DO NOT SCALE DRAWING	COMMENTS:			SCALE: 1:3 WEIGHT: SHEET 1 OF 2

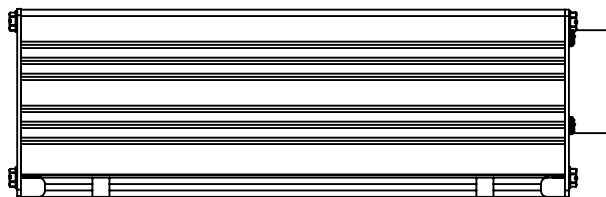
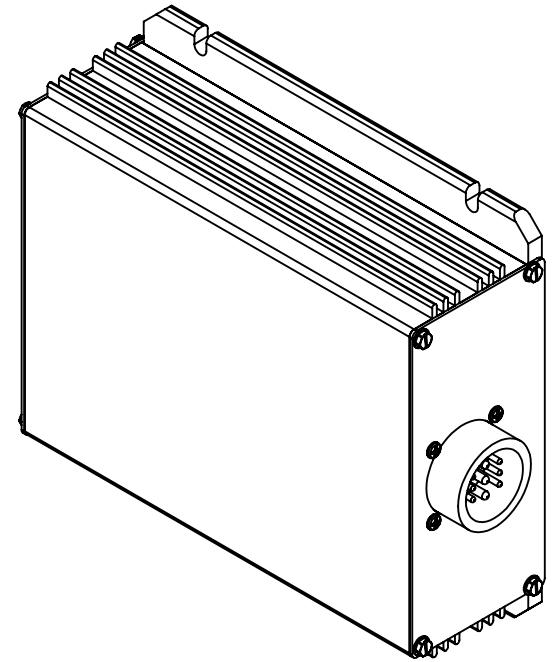
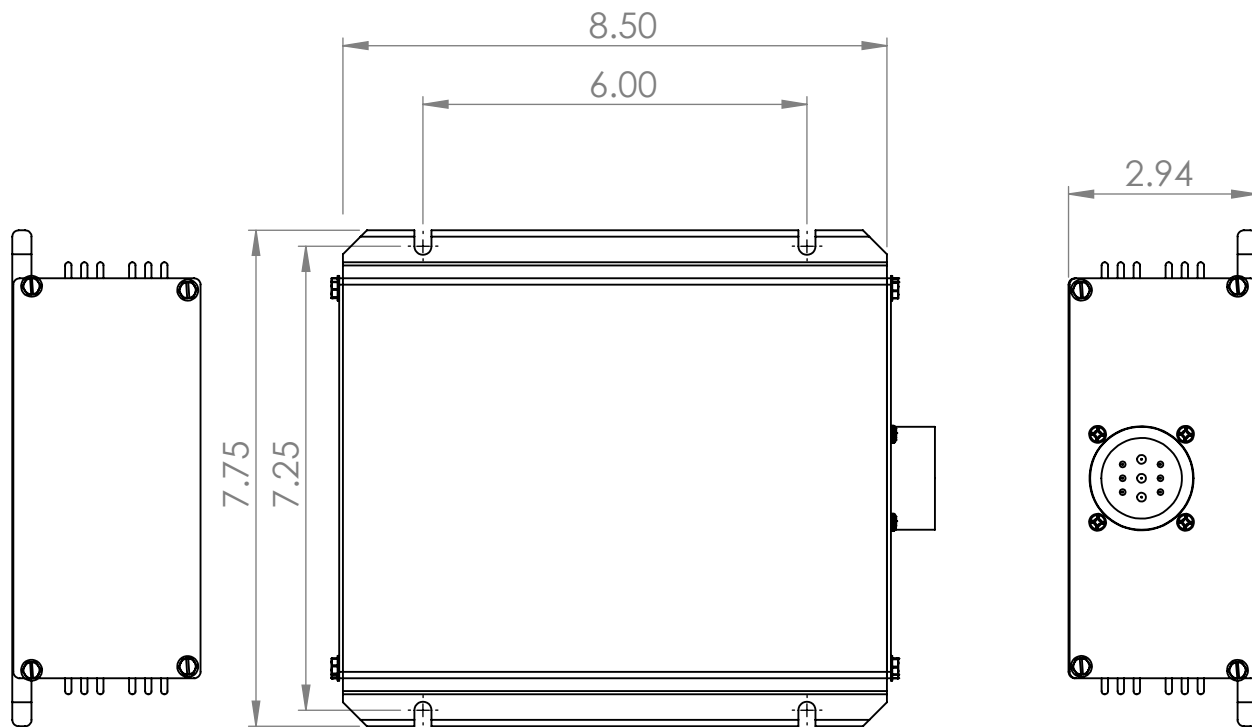
5

4

3

2

1



SEC AMERICA LLC
05407

TITLE:
611HS/621HS/637HS/649HS Converters

SIZE A	DWG. NO. 17-0649 DC-DC	REV 1
SCALE: 1:3	WEIGHT:	SHEET 2 OF 2