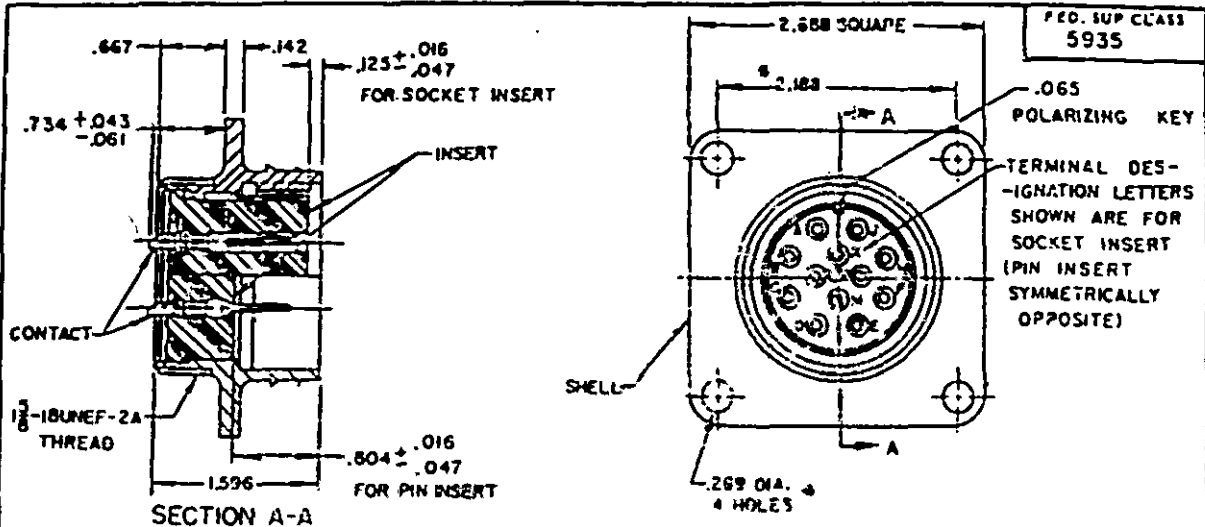


REVIEW ACTIVITIES: ARMY-ES, EL, MI  
 USER ACTIVITY: ARMY-NE

NAVY-SH, YO MC AF-11-84



FED. SUP CLASS 5935

FORMER ARMY PART NO.	TYPE	MS PART NO	SHELL ARMY PART NO	INSERT ARMY PART NO	CONTACT ARMY PART NO
8376208	PIN	MS 75021-1	870X268	7716583	7716521
8376209	SOCKET	MS 75021-2		7716584	7716520

TERMINAL DESIGNATION	CIRCUIT NO.	CONNECTS TO
A	24-484	LH BLACKOUT MARKER
B	22-48	LH SERVICE SIGNAL
C	24-483	RH BLACKOUT MARKER
D	90	GROUND
E	21-489	SERVICE CLEARANCE
F	23	BLACKOUT STOP
H	490	BLACKOUT CLEARANCE
J	22-460	RH SERVICE SIGNAL
K	37	AUXILIARY POWER
L	90	GROUND
M	53	BRAKE
N	53	BRAKE

NOTES:

1. CIRCUIT NUMBERS ARE IN ACCORDANCE WITH TYPICAL WIRING DIAGRAM ARMY DWG. NO. 8377310.
2. FOR MATING PLUG ASSEMBLIES SEE MS 75020.
3. THREADS SHALL BE IN ACCORDANCE WITH SCREW THREAD STANDARDS FOR FEDERAL SERVICES. HANDBOOK H28.
4. MUST MEET ELECTRICAL REQUIREMENTS OF ARMY DWG. 10911317.
5. DIMENSIONS SHOWN WITHOUT TOLERANCE ARE FOR ENGINEERING REFERENCE ONLY.
6. FOR DESIGN FEATURE PURPOSES, THIS STANDARD TAKES PRECEDENCE OVER PROCUREMENT DOCUMENTS REFERENCED HEREIN.
7. THIS STANDARD IS NOT INTENDED TO LIMIT CONSTRUCTION TO FEATURES OTHER THAN AS SHOWN HEREON BY DIMENSIONS, NOTATIONS, AND REFERENCED DOCUMENTS.
8. REFERENCED DOCUMENTS SHALL BE OF THE ISSUE IN EFFECT ON DATE OF INVITATIONS FOR BID.
9. MARKING SHALL CONSIST OF THE MS PART NUMBER AND MANUFACTURERS IDENTIFICATION IN ACCORDANCE WITH MIL-STD-130.

(B) CERTAIN PROVISIONS (IDENTIFIED BY ♣) OF THIS STANDARD ARE THE SUBJECT OF INTERNATIONAL STANDARDIZATION AGREEMENTS QSTAG-327 AND STANAG 4007. WHEN REVISION OR CANCELLATION OF THIS STANDARD IS PROPOSED WHICH WILL AFFECT OR VIOLATE THE INTERNATIONAL AGREEMENT CONCERNED, THE PREPARING ACTIVITY WILL TAKE APPROPRIATE RECONCILIATION ACTION THROUGH INTERNATIONAL STANDARDIZATION CHANNELS, INCLUDING DEPARTMENTAL STANDARDIZATION OFFICES, IF REQUIRED.

P.A. AT Other Code NAVY AF	TITLE CONNECTOR, RECEPTACLE, ELECTRICAL-12 CONTACT, INTERVEHICULAR, 28 VOLT, WATER- PROOF	MILITARY STANDARD MS 75021
PROCUREMENT SPECIFICATION NONE	SUPERSEDES:	SHEET 1 OF 1

APPROVED 28 APRIL 1960 REVISED (A) 26 JANUARY 1962 (B) 20 SEPTEMBER 1963 (C) 13 JUNE 1969 (D) 23 DECEMBER 1974

This standard is mandatory for use by all Departments and Agencies of the Department of Defense. Selection for all new engineering and design applications and for repetitive use shall be made from this document.