

REVISIONS				
ZONE	REV.	DESCRIPTION	DATE	APPROVED
	1	Initial Drawing Releas	12/23/2015	BTG

PROPRIETARY AND CONFIDENTIAL
 THE INFORMATION CONTAINED IN THIS DRAWING IS THE SOLE PROPERTY OF SEC AMERICA LLC. ANY REPRODUCTION IN PART OR AS A WHOLE WITHOUT THE WRITTEN PERMISSION OF SEC AMERICA LLC IS PROHIBITED.

		UNLESS OTHERWISE SPECIFIED:		NAME	DATE	SEC AMERICA LLC	
		DIMENSIONS ARE IN INCHES	DRAWN	BTG	12/23/15	05407	
		TOLERANCES:	CHECKED			TITLE:	
		FRACTIONAL ±	ENG APPR.			620/3602/362/382	
		ANGULAR: MACH ± BEND ±	MFG APPR.			Line Drawing	
		TWO PLACE DECIMAL ±	Q.A.			SIZE	DWG. NO.
		THREE PLACE DECIMAL ±	COMMENTS:			A	17-0620
		INTERPRET GEOMETRIC TOLERANCING PER:					REV
		MATERIAL					1
NEXT ASSY	USED ON	FINISH				SCALE: 1:3	WEIGHT:
APPLICATION		DO NOT SCALE DRAWING					SHEET 1 OF 2

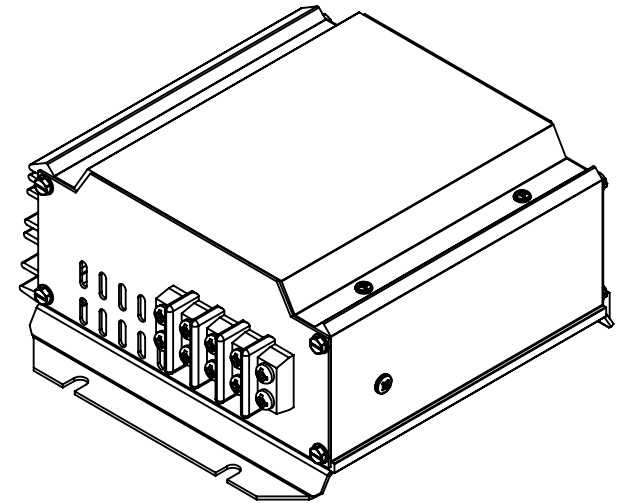
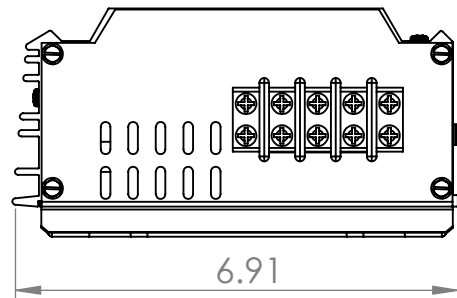
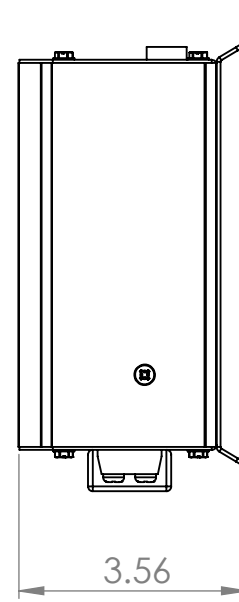
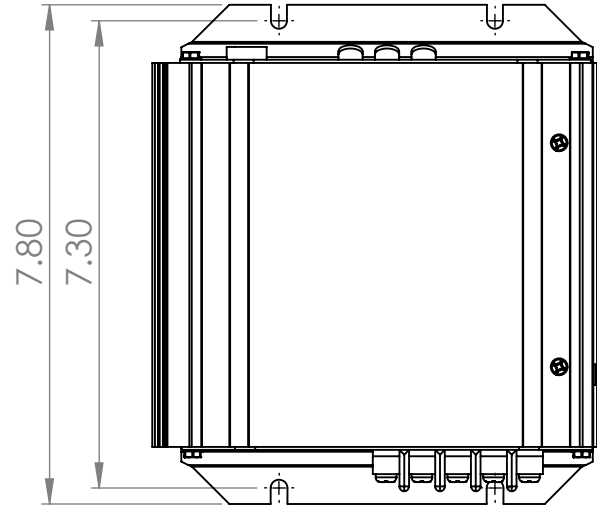
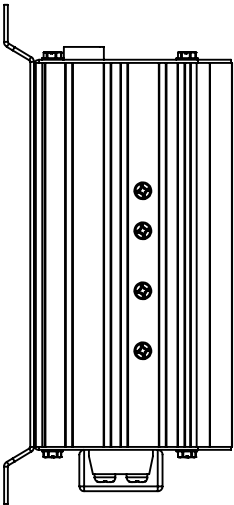
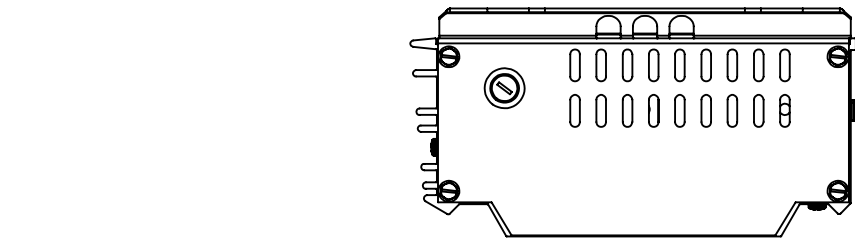
5

4

3

2

1



SEC AMERICA LLC
05407

TITLE:
620/3602/362/382 Line Drawing

SIZE A	DWG. NO. 17-0620	REV 1
SCALE: 1:3	WEIGHT:	SHEET 2 OF 2