

REVISIONS				
ZONE	REV.	DESCRIPTION	DATE	APPROVED
-	1	Initial Drawing Release	12/22/2015	BTG

PROPRIETARY AND CONFIDENTIAL
 THE INFORMATION CONTAINED IN THIS DRAWING IS THE SOLE PROPERTY OF SEC AMERICA LLC. ANY REPRODUCTION IN PART OR AS A WHOLE WITHOUT THE WRITTEN PERMISSION OF SEC AMERICA LLC IS PROHIBITED.

		UNLESS OTHERWISE SPECIFIED:		NAME	DATE	SEC AMERICA LLC	
		DIMENSIONS ARE IN INCHES	DRAWN	BTG	12/22/15	05407	
		TOLERANCES:	CHECKED			TITLE:	
		FRACTIONAL ±	ENG APPR.			721HS/737HS/749HS Converters	
		ANGULAR: MACH ± BEND ±	MFG APPR.			SIZE DWG. NO. REV	
		TWO PLACE DECIMAL ±	Q.A.			A 17-0749 1	
		THREE PLACE DECIMAL ±	COMMENTS:			SCALE: 1:3 WEIGHT: SHEET 1 OF 2	
		INTERPRET GEOMETRIC TOLERANCING PER:					
		MATERIAL					
		XXXXXXX					
		FINISH					
NEXT ASSY	USED ON						
APPLICATION		DO NOT SCALE DRAWING					

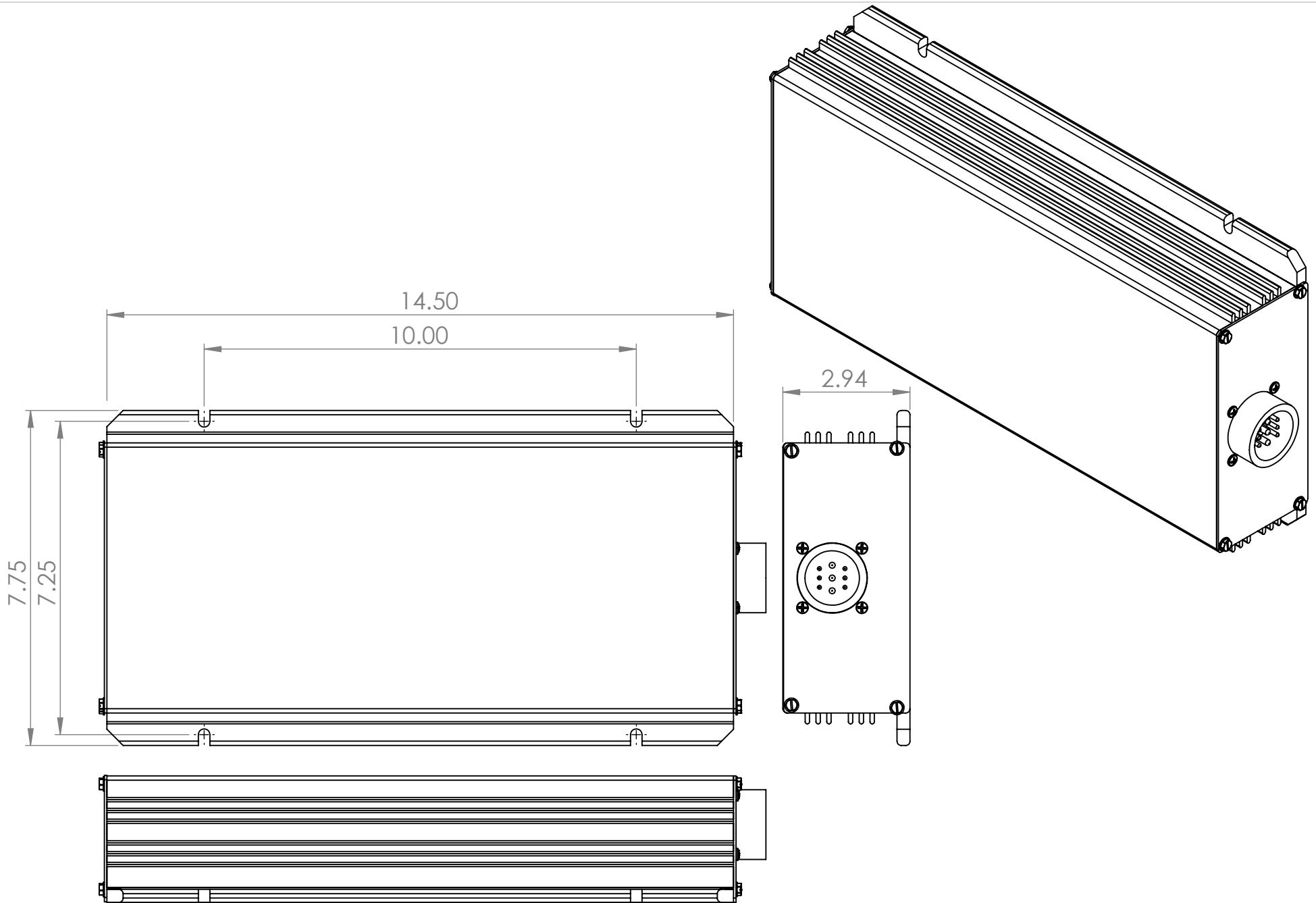
5

4

3

2

1



SEC AMERICA LLC
05407

TITLE: 721HS/737HS/749HS Converters

SIZE	DWG. NO.	REV
A	17-0749	1
SCALE: 1:3	WEIGHT:	SHEET 2 OF 2

5

4

3

2

1